

PIVOTICA

ARGENTA | Concealed Pivoting Hinges

PIVOTICA for doors weighing 45kg



The **patented, universally applicable, compact and virtually invisible spring-loaded pivot hinge** (pivoting door hinge) Argenta® Pivotica® is the ideal solution for ordinary, pivoting interior doors. With these hinges, no door frame is needed, and the door can be positioned in a perfect line with the wall (when closed). The Pivotica® is suitable for inside doors in modern residential homes as well as in public buildings and offices.

Advantages

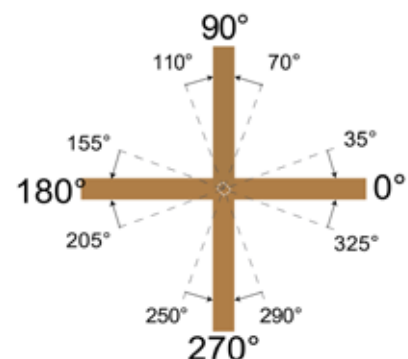
- **Compact** dimensions
- Completely **invisible** (when door is in closed position)
- **Easy installation**
- Suitable for floor-to-ceiling height doors
- **Free choice of rotating position** (hinge point)
- Closing tension and horizontal alignment is **adjustable**
- Pivot system is to be mounted in the door panel and not (as usual) in the floor or ceiling.



The Pivotica® has 4 fixed positions: **-90°, 0°, 90° and 180°**
(180° is only possible when the Pivotica is in the centre of the door)

The door automatically returns to zero / open position:

- 0° (360°): between -35° and +35°
- 90°: between +70° and +110°
- 180°: between 155° and 210°
- 270° (-90°): between 250° and 290°



[Link to Installation Manual](#)

Description

The argenta® pivotica® can be used for doors with a minimum door thickness of 38 mm (max. 100 mm). In doors that are thicker than 70 mm, no single part of the pivotica® is visible, even in the open position.

The extremely compact pivot system is mounted in the door panel. Plates in which the pivot system fits are mounted on the ceiling and floor. A recessed floor socket (housing for a floor spring, which must be built into the floor) is not necessary which means that the pivotica® can be mounted after the floor has been laid.

The position of the pivotica®, and therefore the pivoting point, can be freely chosen (at a minimum of 40 mm centre distance from the side of the door); this allows the possibility of having wide doors rotate around their middle points. The pivotica® is suitable for both left-hand and right-hand doors and can be utilised for pivoting floor-to-ceiling doors.

The pivotica® rotates open in both directions. If you want to have the door open in only one direction, you must use a rebated jamb. In function of the weight and width of the door, the closing force of the argenta® pivotica® can be adjusted by means of an integrated spring. The spring ensures that the door comes to rest in the neutral position after it passes through the neutral position several times.

The system consists of a floor plate (to be mounted on the floor), a bottom pivot system (to be mounted at the bottom of the door leaf), a top pivot system (to be mounted at the top of the door leaf) and a ceiling plate (to be mounted partially in the ceiling and partially on the ceiling). Screws for the attachment of the pivot system in a wooden door panel are included. When using steel frame profiles, a 14 mm diameter hole can be drilled in the steel frame/profile; in this case, the ceiling attachment bracket must no longer be used. All parts of the pivot hinge are rust-resistant. The floor plate and ceiling plate are finished in brushed stainless steel and the pivot system is made of galvanised Zamac.

The ceiling plate is fitted with oblong attachment holes. By shifting the ceiling plate, the hanging of the door can be readjusted.

The pivotica® itself can be easily and quickly mounted and disassembled, and a door with a pivotica® is easy to install and remove, thanks to the compact dimensions, special wrench (included), the mounting of the pivot system in the door and because there is no need to install a recessed floor socket.

Material & Finish

Ceiling Plate	Stainless steel Finish: Brushed Stainless Steel
Top Pivot System:	Housing: Zamak Finish: Galvanised Spring: Stainless Steel Adjustment Parts: Stainless Steel
Bottom Pivot System:	Housing: Zamak Finish: Galvanised Spring: Stainless Steel Adjustment Parts: Stainless Steel
Floor Plate:	Stainless Steel Finish: Brushed Stainless Steel
Adjustment Wrench:	Stainless Steel

Dimensions

Min - Max. Door Thickness	38 - 100 mm
Min - Max. Door Width	300 - 1500 mm
Min - Max. Door Height	300 - 3000 mm
Min - Max. Door Weight	20 - 45 kg

*Min. – Max. clearance between top of door and ceiling: 6 – 10 mm
Clearance between bottom of door and floor: 5 mm**

**when placing two floor plates on top of one another, the clearance becomes 9 mm.*

Adjustment Range	Hanging adjustment = +/- 3mm (= 6 mm)
Resistance to vertical load & static torsion	Class 4



Head Plate/ Door Detail



Door Head Detail



Door Base Unit



Floor Plate/ Door Detail

Codes

Pivotica

91500020

Choose any colour option for the Magnotica pro magnetic door catch with **hidden screws** at **additional costs**

A user's manual with mounting and installation instructions is included in the packaging.

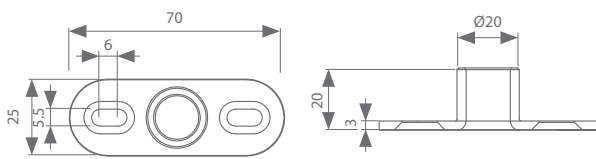
Package consists of 1 box which contains:

- 1 top pivot system
- 1 bottom pivot system
- 1 floor plate
- 1 ceiling plate
- 1 installation wrench
- 4 mounting/attachment screws for mounting the pivot system in the door leaf
- 1 split pin
- 1 instruction manual in 4 languages.

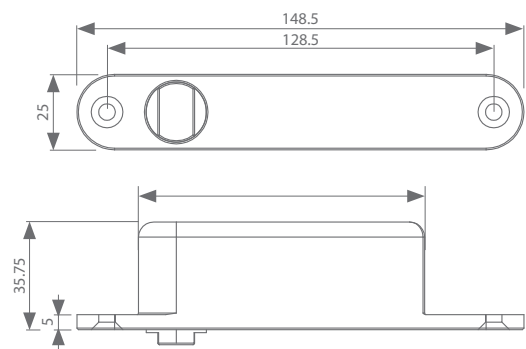
Minimum pivot point from edge of door of 40mm without cladding.

Springs are pre-set up to 30kg and can be adjusted negative or positive.

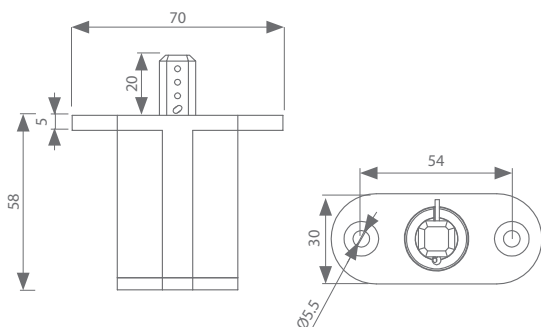
upper part door opening



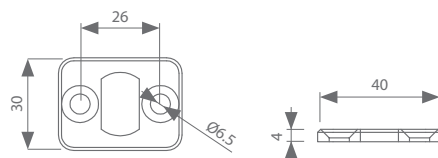
lower part door leaf



upper part door leaf



lower part floor



MAGNOTICA

The Magnotica is a **magnetic and contact-less door closer** which holds interior doors shut without the need for a door handle or latch. Because there are no moving parts, the door can be **opened and closed completely without making any noise.**

BENEFITS

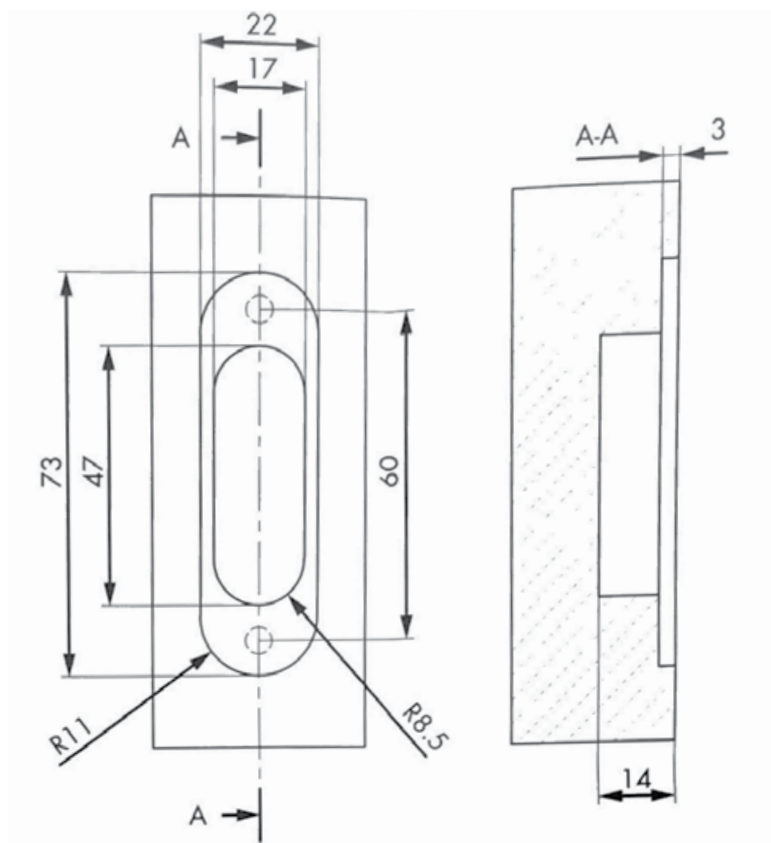
- No moving parts to wear out
- Silent mechanism due to no friction
- Door can be opened/closed noiselessly without a door handle or latch
- Doors are quick and easy to open/close
- Ideal for doors to walk-in closets or storerooms
- Perfect for keeping pivoting doors in their closed position
- Installed on any normal wooden door



Limited to grey finish only

Works with double doors, wardrobe doors as well

- **Spring-loaded**
- **1 adjustment**



Works with double doors,
wardrobe doors as well

MAGNOTICA PRO

The Magnotica pro is a **magnetic and contact-less door closer** which holds interior doors shut without the need for a door handle or latch. Because there are no moving parts, the door can be **opened and closed completely without making any noise**.

BENEFITS

- No moving parts to wear out
- Silent mechanism due to no friction
- Door can be opened/closed noiselessly without a door handle or latch
- Doors are quick and easy to open/close
- Ideal for doors to walk-in closets or storerooms
- Perfect for keeping pivoting doors in their closed position
- **Thanks to the extra cover plate the screws are concealed**
- Installed on any normal wooden door



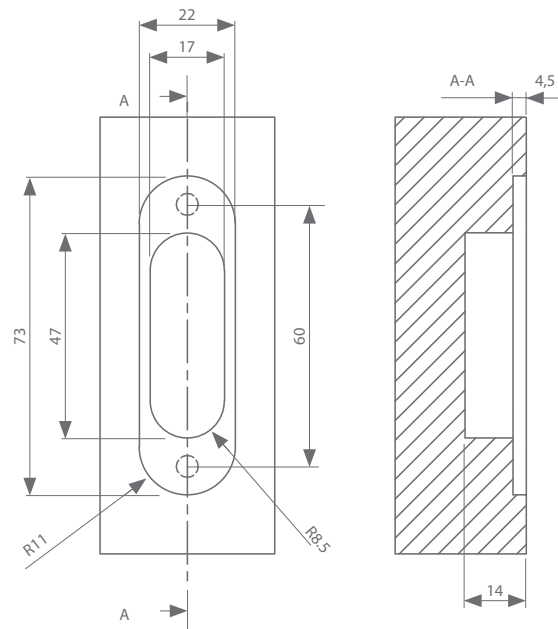
Black



Grey



White



Clearance
(Distance door & frame)

Magnetic Power

2 mm	Minimum 40 N
3 mm	Minimum 35 N
4 mm	Minimum 30 N

This item can be ordered in addition to the pivotica (91500020)