

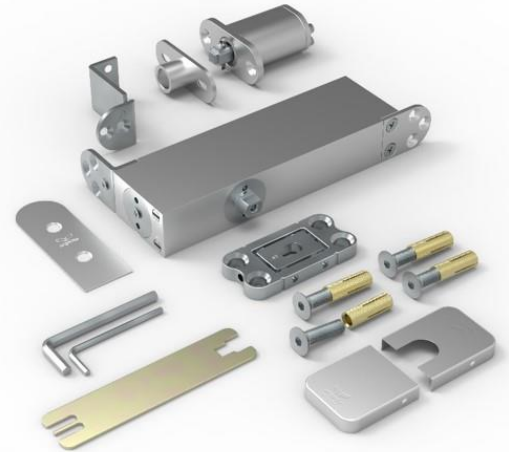


PIVOT HEAD

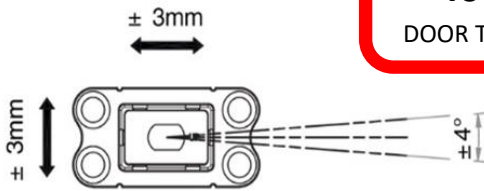
argenta[®] Pivotica Pro

Invisible hinge for pivoting doors 100kg/150kg

- For interior pivot doors 100kg or 150kg
- Max. door opening 150°
- With or without holding position at 90°
- 2 speed control: closing speed & active damping
- Different possible positions of the pivot
- Quick & easy installation of the system
- Meets EN1154 requirements for door closers
- Available in 30min FR version



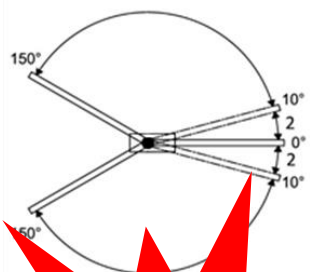
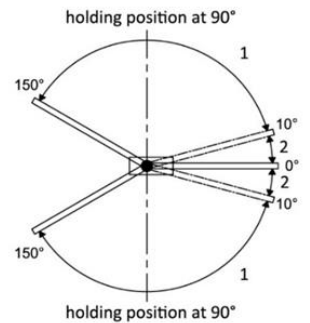
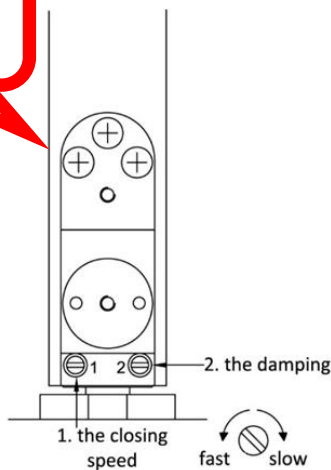
Adjustable floor plate



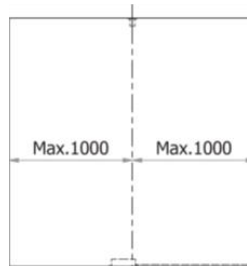
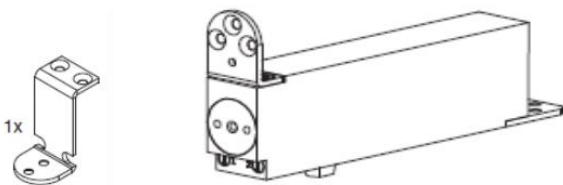
- Width adjustment : -3/+3mm
- Depth adjustment : -3/+3mm
- Alignment : -4/+4°

MINIMUM
40 mm
DOOR THICKNESS

Adjustment bottom pivot

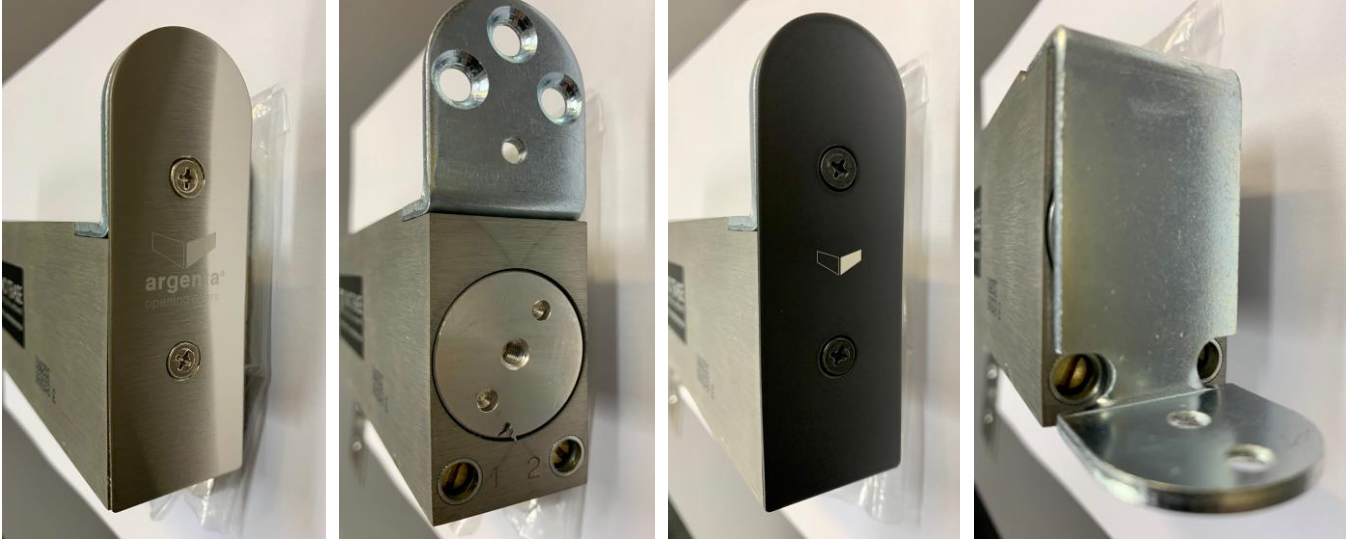


Extra bracket (de)central position



WHY ARGENTA PIVOTICA PRO IS BETTER!

ADAPTABLE END PLATE



CHANGE THE END PLATE FOR CENTRAL OR STEPPED IN POSITION – BLACK COVERS AVAILABLE

ADAPTABLE FLOOR PLATE



FULLY ADJUSTABLE FLOOR PLATE 40 X 98 MILLIMETRES IN SIZE – BLACK COVERS AVAILABLE

ADAPTABLE INSTALLATION METHOD



ARGENTA PIVOTICA PRO 100	ARGENTA PIVOTICA PRO 150
✓ HYDRAULIC PIVOT SPRING SYSTEM	✓ HYDRAULIC PIVOT SPRING SYSTEM
✓ FOR DOORS UP TO 100 KILOS IN WEIGHT	✓ FOR DOORS UP TO 150 KILOS IN WEIGHT
✓ DOOR HEIGHTS TO 3000 mm	✓ DOOR HEIGHTS TO 3000 mm
✓ DOOR WIDTH 1500mm OR 2000 mm IN CENTRE	✓ DOOR WIDTH 1500mm OR 2000 mm IN CENTRE
✓ ACTIVE DAMPENING = 2 SPEEDS	✓ ACTIVE DAMPENING = 2 SPEEDS
✓ 90 DEGREE HOLD OPEN	✓ 90 DEGREE HOLD OPEN
✓ 58 mm DISTANCE from AXLE TO DOOR EDGE	✓ 58 mm DISTANCE from AXLE TO DOOR EDGE
✓ BUILT IN FLOOR MODEL AVAILABLE	✓ BUILT IN FLOOR MODEL AVAILABLE



PIVOT HEAD

OTHER ARGENTA PRODUCTS

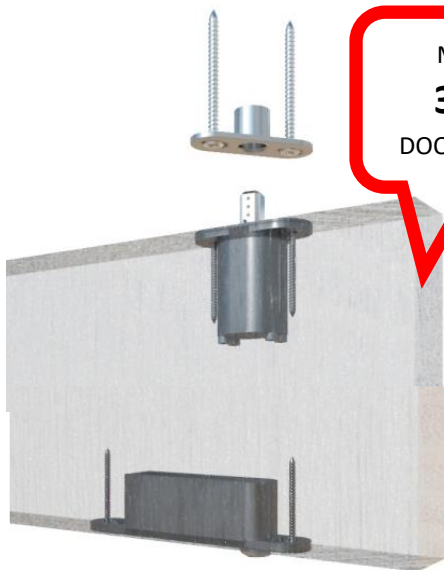
argenta[®] Pivotica

compact and invisible pivot hinge

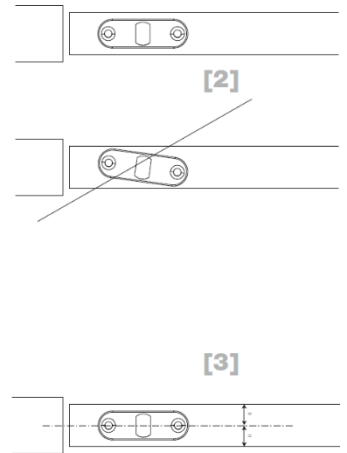
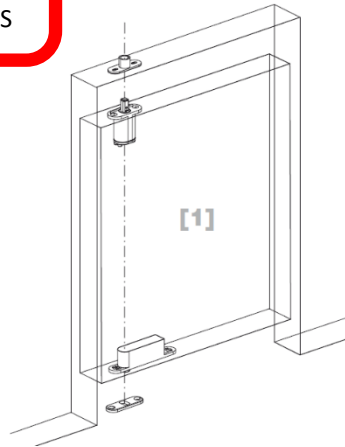


Advantages

- **Compact** dimensions
- Completely **invisible** (when door is in closed position)
- Easy installation
- Suitable for floor-to-ceiling-height doors
- **Free choice of rotating position** (hinge point)
- Closing tension and horizontal alignment **is adjustable**
- Pivot system to be mounted **in the doorpanel** and not (as usual) in the floor or ceiling



MINIMUM
38 mm
DOOR THICKNESS

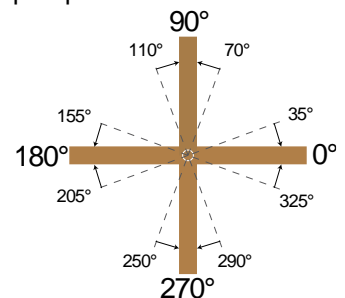


General Installation

The ceiling plate, top pivot system, bottom pivot system and floor plate must be aligned vertically as precisely as possible (1)
The floor plate must be perfectly aligned with the wall / door leaf. (2)
The parts must be placed in the centre of the door leaf. (3)

The Pivotica[®] has 4 fixed positions: -90°, 0°, 90° en 180°
(180° is only possible when the pivotica[®] is in the center of the door)
The door automatically returns to a zero / open position:

- 0° (360°) : between -35° and +35°
- 90°: between +70° and +110°
- 180°: between 155° and 210°
- 270° (-90°): between 250° and 290°



argenta [®] Pivotica	
Hinges	Easy to install Compact pivot system inside in the door No visible pivot system on the side of the door
Door weight	Doors up to max 45kg
Door size	Max 3000 x 1500 mm
Position	Free position in the door leaf
Spring system	Mechanical
Damping	No active damping
Lock	Magnetic door closer Magnotica [®] Optional (recommended for doors 35kg+)

OTHER ARGENTA PRODUCTS

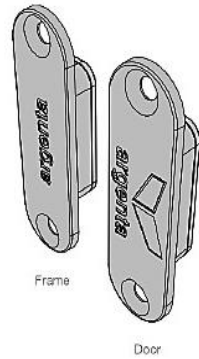
argenta[®] Magnotica[®]

The Magnotica[®] is a magnetic & contactless door closer which holds interior doors shut without the need for a door handle or latch.

Because there are no moving parts, the door can be opened and closed completely noiselessly.

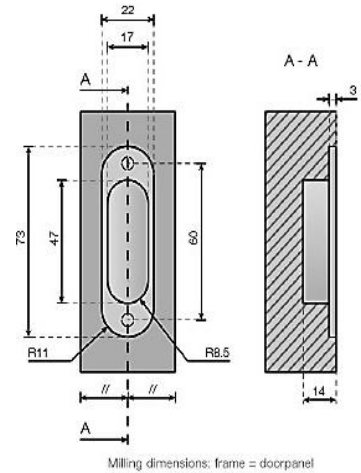
The Magnotica[®] can be installed on any normal wooden door frame and because the door is quick & easy to open without a need for a door handle, this magnetic closure is particularly suitable for doors to walk-in closets, ensuites, pantries & storerooms.

The Magnotica[®] is ideal to be used with the Pivotica[®] and can be installed vertically (on the front edge of the door, preferred) or horizontally at the top of the door.



Magnotica Features

- No moving parts
- Door can be closed without noise
- Doors are quick to open
- Available in grey, white & black
- Ideal for 'walk-in' rooms
- Perfect for keeping pivot doors in their closed position



Clearance
(distance door and frame)

- 2 mm
- 3 mm
- 4 mm

Magnetic power



- Minimum 40 N
- Minimum 35 N
- Minimum 30 N

